

470-860 MHz

Hybrid Coupler 90°, 30W

FEATURES

- UHF Unit
- Stripline architecture
- Minimal RF Insertion Loss
- High Reliability, High Isolation
- N Female Connectors

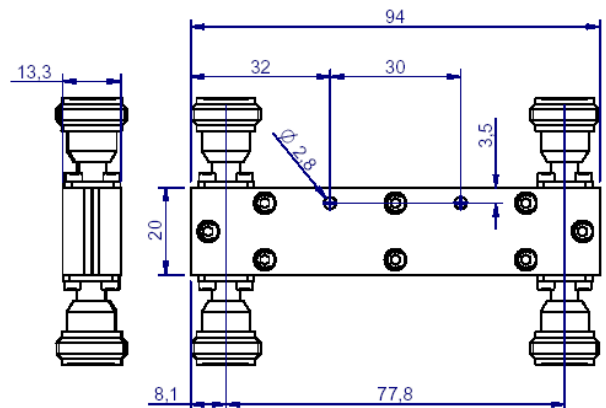


DESCRIPTION

The Directional and Hybrid couplers offered by AA MCS are designed for both commercial and military applications on range DC-50GHz. Models are available in connectorized SMA, BNC, N, TNC (option) packages, depending on the frequency. All units are designed and manufactured to ensure statistical control of important parameters such as insertion loss and input/output return loss, with power up to more than 1 kWatt.

Electrical Specifications

Bandwidth		470-860 MHz
Coupling		3dB
Insertion Loss	Max	0.1 dB
Isolation	Min	20 dB
Amplitude Balance	Max	0.5 dB
Phase Balance	Max	3 Deg
VSWR	Max	1.25:1
Power CW	Min	30 W
Connector		SMA f
Operating Temperature	°C	-40 to +85°C
Storage Temperature	°C	-55 to +125°C
Waterproof ness		IP50



Amplitude & Phase Balance are the ratio between any 2 output in dB or Deg respectively

Power indicated for load VSWR better than 1.20:1

Size in mm



AA MCS
MICROWAVE COMPONENTS AND SYSTEMS