

AAMCS-PWD-2W-0.5G-2.5G-10W-Sf

AA MCS

500MHz-2.5GHz

2ways power divider, 10W

FEATURES

- Ultra Broadband unit
- Stripline architecture
- Minimal RF Insertion Loss
- High Reliability, High Isolation
- N Female Connectors available



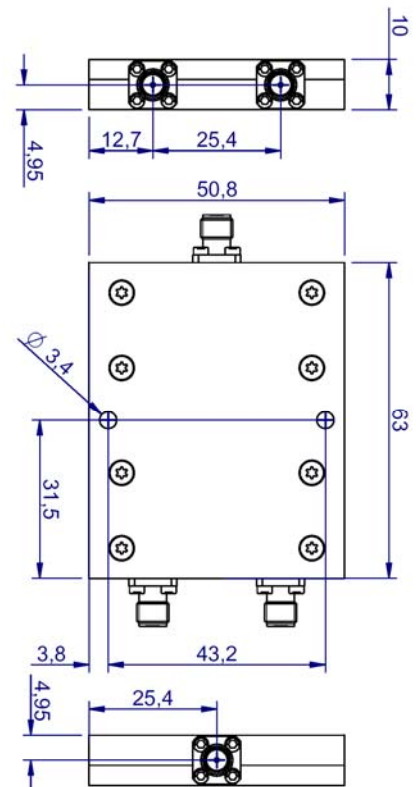
PASSIVE COMPONENTS

DESCRIPTION

The power/divider combiner offered by AA MCS are designed for both commercial and military applications on range DC-50GHz. Models are available in connectorized SMA, BNC, N, TNC (option) packages, depending on the frequency. All units are designed and manufactured to ensure statistical control of important parameters such as insertion loss and input/output return loss, with power up to more than 1 kWatt.

Electrical Specifications

Bandwidth		500MHz-2.5GHz
Insertion Loss	Max	0.7 dB
Isolation	Min	20 dB
Amplitude Balance	Max	0.3 dB
Phase Balance	Max	4 Deg
VSWR	Max	1.3:1
Power CW	Min	10 W
Connector		SMA f
Operating Temperature	°C	-40 to +85°C
Storage Temperature	°C	-55 to +125°C
Waterproof ness		IP50



Outline is subject to change without prior notice

Amplitude & Phase Balance are the ratio between ant 2 output in dB or Deg respectively

Power indicated for load VSWR better than 1.20:1

Size in mm



AA MCS
MICROWAVE COMPONENTS AND SYSTEMS

AA Sa 18, rue Nicolas Appert F-91898 ORSAY - FRANCE

Tel : +33 (0)1 76 91 50 12 – Fax : +33 (0)1 76 91 50 31 – www.aa-mcs.com

11/11