

# AAMCS-PWD-2W-12G-44G-10W-2.9f

AA MCS

12-44GHz

2ways power divider, 10W

## FEATURES

- Ultra broadband
- Stripline architecture
- Minimal RF Insertion Loss
- High Reliability, High Isolation

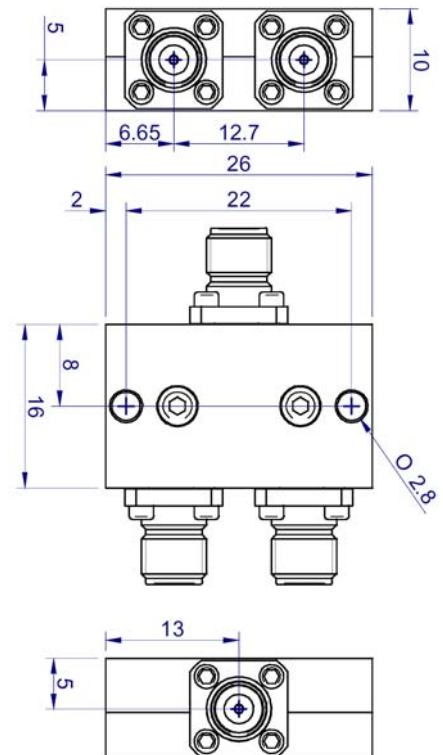


## DESCRIPTION

The power/divider combiner offered by AA MCS are designed for both commercial and military applications on range DC-50GHz. Models are available in connectorized SMA, BNC, N, TNC (option) packages, depending on the frequency. All units are designed and manufactured to ensure statistical control of important parameters such as insertion loss and input/output return loss, with power up to more than 1 kWatt.

## Electrical Specifications

<b>Bandwidth</b>		12-44GHz
<b>Insertion Loss</b>	Max	1.7 dB
<b>Isolation</b>	Min	12 dB
<b>Amplitude Balance</b>	Max	0.8 dB
<b>Phase Balance</b>	Max	12 Deg
<b>VSWR</b>	Max	1.80:1
<b>Power CW</b>	Min	10 W
<b>Connector</b>		2.92mm f
<b>Operating Temperature</b>	°C	-40 to +85°C
<b>Storage Temperature</b>	°C	-55 to +125°C
<b>Waterproof ness</b>		IP50



Amplitude & Phase Balance are the ratio between ant 2 output in dB or Deg respectively

Power indicated for load VSWR better than 1.20:1

Size in mm



**AA MCS**  
MICROWAVE COMPONENTS AND SYSTEMS