

3-6GHz

2ways power divider, 10W

## FEATURES

- Octave unit
- Stripline architecture
- Minimal RF Insertion Loss
- High Reliability, High Isolation
- N Female Connectors available



## DESCRIPTION

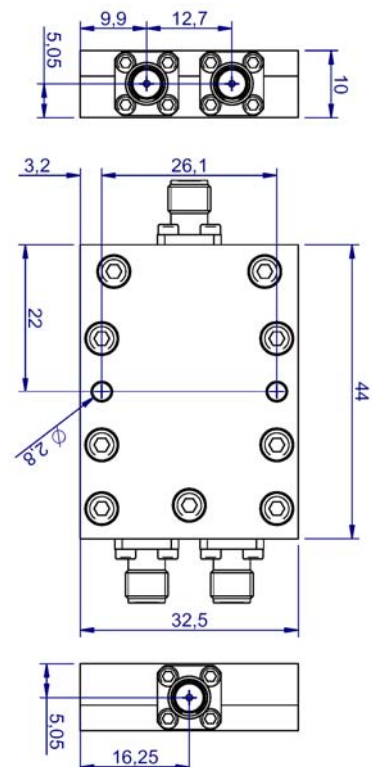
The power/divider combiner offered by AA MCS are designed for both commercial and military applications on range DC-50GHz. Models are available in connectorized SMA, BNC, N, TNC (option) packages, depending on the frequency. All units are designed and manufactured to ensure statistical control of important parameters such as insertion loss and input/output return loss, with power up to more than 1 kWatt.

## Electrical Specifications

<b>Bandwidth</b>		3-6GHz
<b>Insertion Loss</b>	Max	0.6 dB
<b>Isolation</b>	Min	15 dB
<b>Amplitude Balance</b>	Max	0.6 dB
<b>Phase Balance</b>	Max	5 Deg
<b>VSWR</b>	Max	1.45:1
<b>Power CW</b>	Min	10 W
<b>Connector</b>		SMA f
<b>Operating Temperature</b>	°C	-40 to +85°C
<b>Storage Temperature</b>	°C	-55 to +125°C
<b>Waterproof ness</b>		IP50

*Amplitude & Phase Balance are the ratio between ant 2 output in dB or Deg respectively*

*Power indicated for load VSWR better than 1.20:1*



Size in mm

PASSIVE COMPONENTS

Outline is subject to change without prior notice



**AA MCS**  
MICROWAVE COMPONENTS AND SYSTEMS