

# AAMCS-UDC-1G-22G-10dB-Sf

AA MCS

1-22 GHz

10dB Directional coupler

## FEATURES

- Ultra broadband Unit
- Unidirectional Coupler
- Minimal RF Insertion Loss
- High Reliability



PASSIVE COMPONENTS

## DESCRIPTION

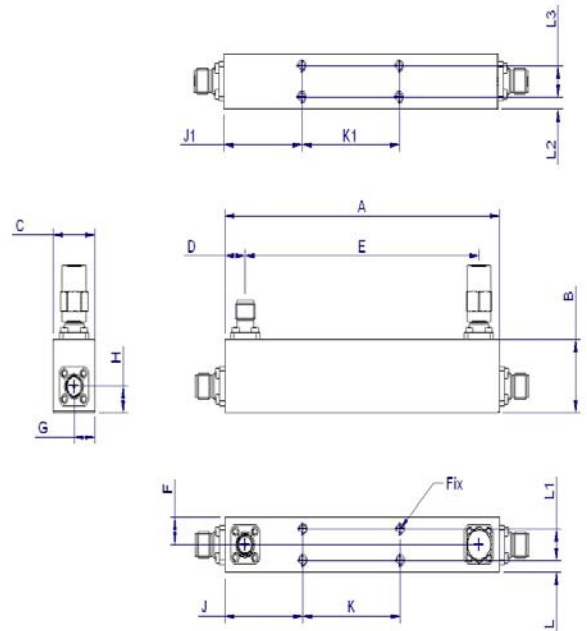
The Directional and Hybrid couplers offered by AA MCS are designed for both commercial and military applications. Models are available in connectorized SMA, BNC, N, TNC (option) packages, depending on the frequency.

All units are designed and manufactured to ensure statistical control of important parameters such as insertion loss and input/output return loss, with power up to more than 1 kWatt.

## Electrical Specifications

<b>Bandwidth</b>		1-22 GHz	
<b>Nominal coupling</b>	Max	10 ± 1.2 dB	
<b>Coupling Flatness</b>	Max	± 0.80 dB	
<b>Main Line Insertion Loss *</b>	Max	1.50 dB	
<b>VSWR</b>	Max	Main	1.35:1
		coupled	1.50:1
<b>Directivity</b>	Min	1-12G	15dB
		12-20G	13dB
		20-22G	12dB
<b>Power CW</b>	Min	30 W	
<b>Connector</b>		SMA f	
<b>Operating Temperature</b>	°C	-40 to +85°C	
<b>Storage Temperature</b>	°C	-55 to +125°C	
<b>Waterproof ness</b>		IP50	

\* including coupling loss



Outline is subject to change without prior notice

A	B	C	D	E	F	G	H	J
89.4	17.9	13.45	6.6	76.2	6.7	6.75	6.5	25.4
J1	K	K1	L	L1	L2	L3	Fix	
25.4	31.75	31.75	2.9	3.8	2.9	7.6	#4-40	

Size in mm



**AA MCS**  
MICROWAVE COMPONENTS AND SYSTEMS

AA Sa 18, rue Nicolas Appert F-91898 ORSAY - FRANCE

Tel : +33 (0)1 76 91 50 12 – Fax : +33 (0)1 76 91 50 31 – [www.aa-mcs.com](http://www.aa-mcs.com)

07/11