

470-870 MHz

6dB Directional coupler, 1kW

FEATURES

- Octave Unit / UHF Band
- Unidirectional Coupler
- Minimal RF Insertion Loss
- High Reliability
- 7/16 Female Connectors



PASSIVE COMPONENTS

DESCRIPTION

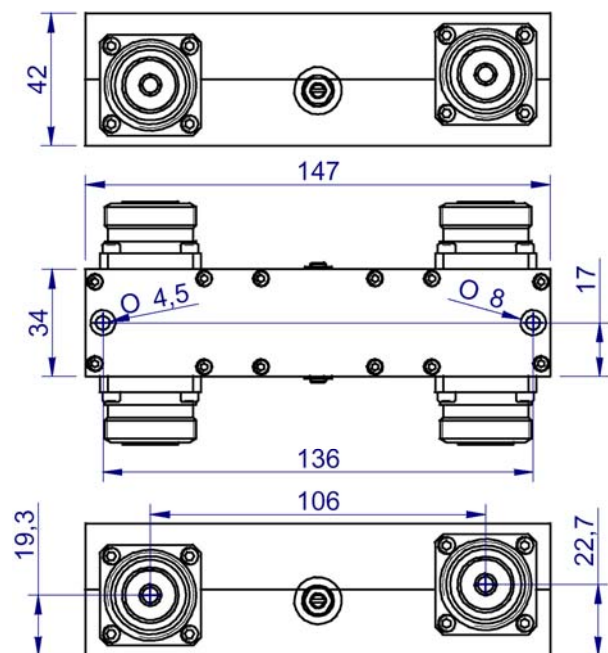
The Directional and Hybrid couplers offered by AA MCS are designed for both commercial and military applications on range DC-50GHz. Models are available in connectorized SMA, BNC, N, TNC (option) packages, depending on the frequency.

All units are designed and manufactured to ensure statistical control of important parameters such as insertion loss and input/output return loss, with power up to more than 1 kWatt..

Electrical Specifications

Bandwidth		470-870 MHz
Nominal coupling	Max	6 ± 0.5 dB
Coupling Flatness	Max	± 0.70 dB
Main Line Insertion Loss *	Max	1.50 dB
VSWR	Max	1.20:1
Directivity	Min	20 dB
Power CW	Min	1 kW
Connector (Main/coupled port)		7/16f
Operating Temperature	°C	-40 to +55°C
Storage Temperature	°C	-55 to +125°C
Waterproof ness		IP50

* including coupling loss



Size in mm

Outline is subject to change without prior notice



AA MCS

MICROWAVE COMPONENTS AND SYSTEMS