

470-870 MHz

6-10dB Directional coupler, 200W

FEATURES

- Octave Unit / UHF Band
- Unidirectional Coupler
- Minimal RF Insertion Loss
- High Reliability
- N Female Connectors



PASSIVE COMPONENTS

DESCRIPTION

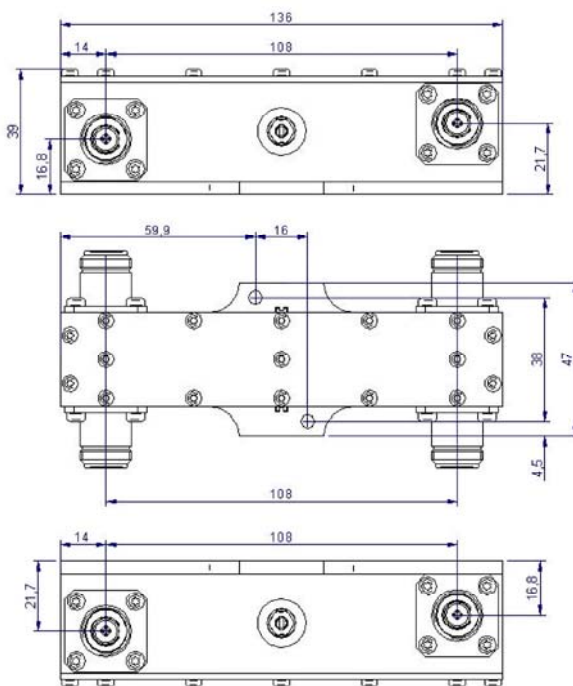
The Directional and Hybrid couplers offered by AA MCS are designed for both commercial and military applications on range DC-50GHz. Models are available in connectorized SMA, BNC, N, TNC (option) packages, depending on the frequency.

All units are designed and manufactured to ensure statistical control of important parameters such as insertion loss and input/output return loss, with power up to more than 1 kWatt..

Electrical Specifications

Bandwidth		470-870 MHz
Nominal coupling		
AAMCS-UDC-470M-870M-6dB-200W-Nf-Nf	Max	6 ± 0.5 dB
AAMCS-UDC-470M-870M-10dB-200W-Nf-Nf		10 ± 0.5 dB
Coupling Flatness	Max	± 0.70 dB
Main Line Insertion Loss *		
AAMCS-UDC-470M-870M-6dB-200W-Nf-Nf	Max	1.50 dB
AAMCS-UDC-470M-870M-10dB-200W-Nf-Nf		0.80 dB
VSWR	Max	1.2:1
Directivity	Min	20 dB
Power CW	Min	200 W
Connector		Nf
Operating Temperature	°C	-40 to +85°C
Storage Temperature	°C	-55 to +125°C
Waterproof ness		IP50

* including coupling loss



Outline is subject to change without prior notice

Size in mm



AA MCS
MICROWAVE COMPONENTS AND SYSTEMS