

470-870 MHz

6-10dB Directional coupler, 30W

## FEATURES

- Octave Unit / UHF Band
- Unidirectional Coupler
- Minimal RF Insertion Loss
- High Reliability
- N Female Connectors



## DESCRIPTION

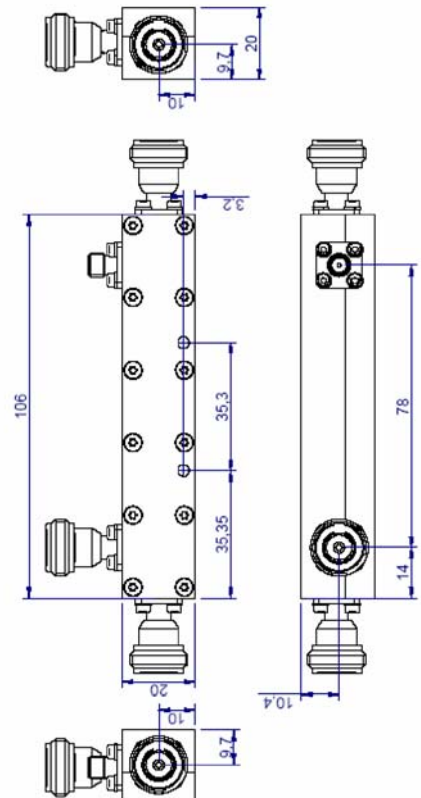
The Directional and Hybrid couplers offered by AA MCS are designed for both commercial and military applications on range DC-50GHz. Models are available in connectorized SMA, BNC, N, TNC (option) packages, depending on the frequency.

All units are designed and manufactured to ensure statistical control of important parameters such as insertion loss and input/output return loss, with power up to more than 1 kWatt..

## Electrical Specifications

<b>Bandwidth</b>	470-870 MHz	
<b>Nominal coupling</b>		
AAMCS-UDC-470M-870M-6dB-30W-Nf-Nf	Max	6 ± 0.5 dB
AAMCS-UDC-470M-870M-10dB-30W-Nf-Nf		10 ± 1 dB
<b>Coupling Flatness</b>	Max	± 0.70 dB
<b>Main Line Insertion Loss *</b>		
AAMCS-UDC-470M-870M-6dB-30W-Nf-Nf	Max	1.60 dB
AAMCS-UDC-470M-870M-10dB-30W-Nf-Nf		0.80 dB
<b>VSWR</b>	Max	1.2:1
<b>Directivity</b>	Min	20 dB
<b>Power CW</b>	Min	30 W
<b>Connector</b>	Nf	
<b>Operating Temperature</b>	°C	-40 to +85°C
<b>Storage Temperature</b>	°C	-55 to +125°C
<b>Waterproof ness</b>	IP50	

\* including coupling loss



Size in mm

Outline is subject to change without prior notice



**AA MCS**  
MICROWAVE COMPONENTS AND SYSTEMS

AA Sa 18, rue Nicolas Appert F-91898 ORSAY - FRANCE

Tel : +33 (0)1 76 91 50 12 – Fax : +33 (0)1 76 91 50 31 – [www.aa-mcs.com](http://www.aa-mcs.com)

07/11