

AAMCS-SWT-SP3T-400M-4000M-50dBm



SPDT Pin diode switch 400MHz-4GHz, 100W

Features

- ➔ High power, wide band
- ➔ High reliability
- ➔ High linearity
- ➔ Fast switching/Hot switching

Applications

- ➔ High power harmonic filtering
- ➔ High power antenna switching
- ➔ High power switching matrix



Description

AA-MCS designs and produces broadband switches on range DC-18GHz, for power up to 150W CW. AA-MCS offers standard products and is able to modify them to meet your electrical / mechanical requirements and delivery schedules.

Specifications

Electrical Specifications	AAMCS-SWT-SP3T-400M-4000M-50dBm
Frequency Range	400-4000 MHz
Input power	1.5:1 Source & Load VSWR CW (hot switch): Max 50 dBm 10µs Pulse, 1% duty (cold switch): Max 57 dBm
Insertion loss	≤ 1 dB (nom 0.6 dB)
VSWR input/output	Min 1.4:1 (typ 1.2:1)
Harmonics	≤ -50 dBc (nom -65 dBc) for 100 W pure sine input
OIP3 (2 carriers, 100MHz spacing, 40dBm)	≥ 60 dBm (nom 65 dBm)
Isolation	≥ 30 dB (nom 40 dB)
Switching time (10-90%)	≤ 5 µs (nom 1 µs)
DC Supply	+10 to +14 VDC (nom +12 VDC)
Current consumption (100W, +12 VDC)	≤ 800 mA (nom 700 mA)
Controls (1 bit TTL)	See control table
Connectors	SMA female
Operating temperature	-40 to +85 °C
Storage temperature	-40 to +105 °C

Control table

CTL A	CTL B	RF com to
TTL low	TTL low	RF1
TTL high	TTL low	RF2
TTL low	TTL high	RF3
TTL high	TTL high	

AA MCS - MICROWAVE COMPONENTS AND SYSTEMS

AA Sa 18, rue Nicolas Appert F-91898 ORSAY - FRANCE

Tel : +33 (0)1 76 91 50 12 – Fax : +33 (0)1 76 91 50 31 – www.aa-mcs.com

Options

DC Supply: AA-MCS can offer specific operating voltage. +15Vdc (add suffix -15v), +24Vdc (add suffix -24v)

Bandwidth: Bandwidth can be optimized in sub band to reduce IL and switching time.

Connectors Configuration: AA-MCS can offer specific connector combination for input/output connectors.

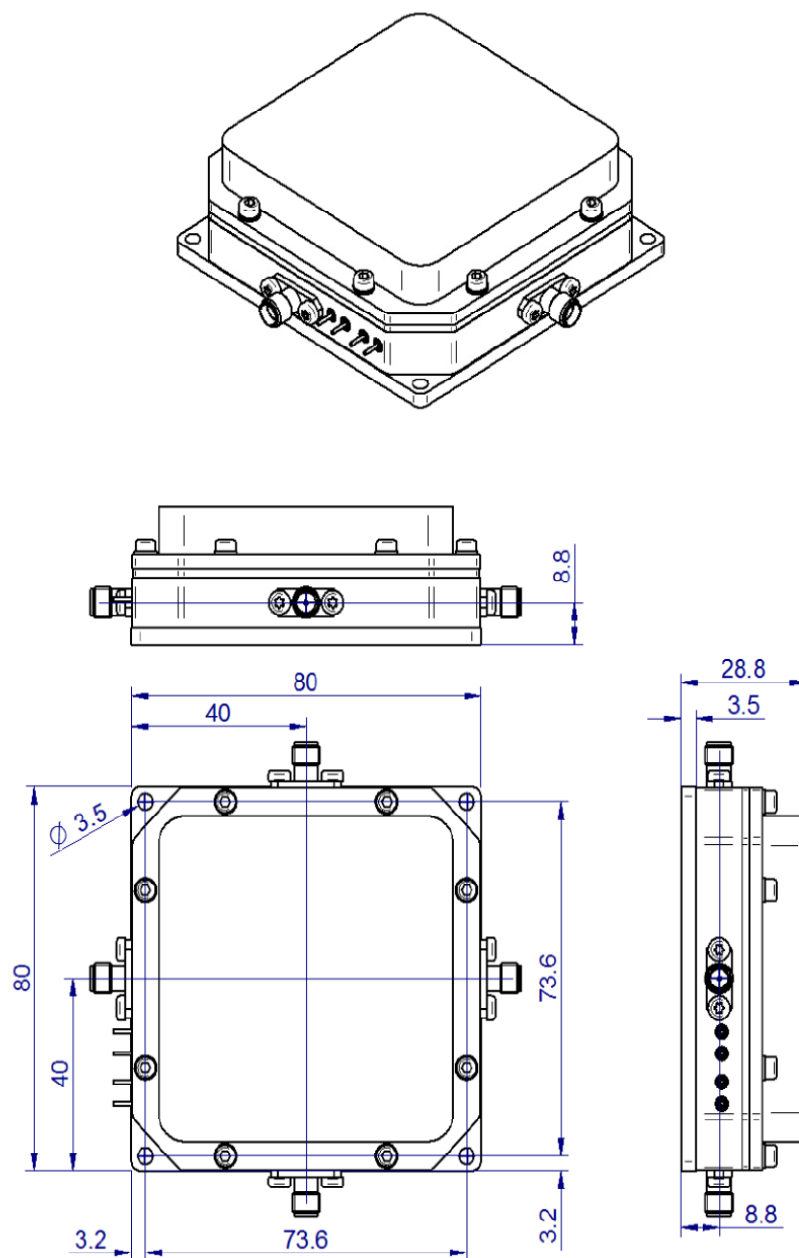
Remote Control: AA-MCS can offer specific design with remote control interface (RS422, RS485, TTL, USB...)

Please contact factory for availability

Ordering information

AAMCS-SWT-SP3T-400M-4000M-50dBm for model 50 dBm

Outline drawing (mm)



AA MCS - MICROWAVE COMPONENTS AND SYSTEMS

AA Sa 18, rue Nicolas Appert F-91898 ORSAY - FRANCE

Tel : +33 (0)1 76 91 50 12 – Fax : +33 (0)1 76 91 50 31 – www.aa-mcs.com